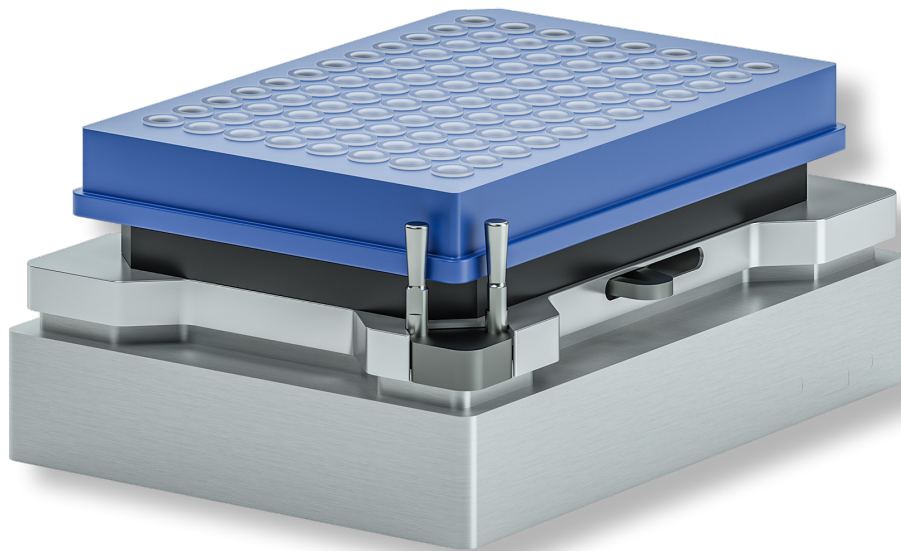


Heating & Shaking



# Teleshake 95, Teleshake 95 AC

Heated Shaker product line

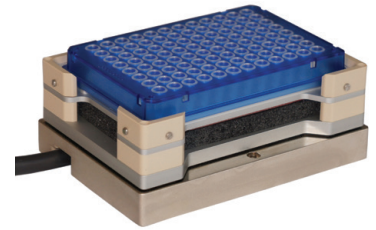
# Teleshake 95 – heated shaker product line

High performance, low profile compact heater-shakers for integration into robotic workstations

## Teleshake 95

### Product description

The Teleshake 95 is one of the most compact temperature controlled shakers with a height of only 55 mm for a comprehensive selection of standard ANSI/SLAS format plates. It is made for a wide temperature range from 5 K above ambient to 125 °C. The automated zero positioning allows for comfortable robotic gripping. Plates are securely fixed during shaking with a flexible mechanism that is easily adaptable for different plate formats. Shaking frequency (100 -1,800 rpm) and shaking pattern (linear & orbital) are comfortably adjusted. A low-speed startup process prevents spillage.



Teleshake 95, 7100136

## Teleshake 95 AC

### Product description

With the Teleshake 95 AC a new model with automated labware clamping and higher shaking performance is now available. Compared to the classic Teleshake, the new Teleshake 95 AC is equipped with a stronger shaker, directly driving the shaker plate. This results in higher shaking frequencies and a higher load capacity of 500 g across the whole frequency range.

The automated labware clamping mechanism increases process reliability and facilitates the use of a wide variety of disposables. The clamping pins enable piercing of sealed labware for sample removal, or shaking of disposables with lids. The clamping pins can be customized to fit your processing requirements.



Teleshake 95 AC, 7100150

Product	Part No.	Dimensions W x D x H (mm)	Shaking frequency (rpm)	Amplitude	Temperature range
Teleshake 95	7100136	103 x 146 x 55	100 - 1,800	2 mm	ambient +5 K to 125 °C
Teleshake 95 AC	7100150	101 x 144 x 47	200 - 3,000	2 mm	ambient +5 K to 125 °C

The Teleshake 95 product line is integrated with a vast number of established lab automation systems, for example:

Agilent:	Bravo	Tecan:	Freedom EVO, Genesis, TEMO, Fluent
Beckman:	Biomek 3000, 4000, FX, NX	Protodyne:	BioCube
Perkin Elmer:	JANUS, Multiprobe II, Sciclone, Zephyr	Xiril:	75, 100, 150 Series
Hamilton:	Star Line, Nimbus, Vantage	Zinsser:	Lissy

## Main specifications

Specifications	7100136	7100150
Accuracy at 37 °C target temperature <sup>1)</sup>	±0.3 K	±0.3 K
Uniformity at 37 °C target temperature <sup>1)</sup>	±0.2 K	±0.2 K
Max. rpm	1,800	3,000
Amplitude (mm)	2	2
Input	24 Vdc ± 10%	24 Vdc ± 10%
Heating capacity	100 W	100 W
Ambient temperature	15 °C to 32 °C	15 °C to 32 °C

<sup>1)</sup>Data refer to 96 well flat bottom microplate at 22 °C ambient temperature.



MTC Compact, 8900029  
Single TEC Control (STC), 8900031  
Multi TEC Control (MTC), 8900030

## Controller and accessoires

For single Teleshake units, the power supply and temperature setting/control is performed through the INHECO Single TEC Control unit (STC). For multiple (up to six) INHECO heating & cooling devices – incl. Teleshake 95 – an INHECO Multi TEC Control unit (MTC, with display) or MTC Compact (no display) is used and each device is controlled individually. A slot module is required to connect the Teleshake 95 to the STC/MTC: Black for 7100136, Yellow for 7100150.

For optimal temperature transfer an adapter – except for flat bottom plates – is always needed. On our website, you will find a list of existing adapter variants for a broad range of disposables with or without insulation. In case you need an adapter for your disposable which is not yet on the list, we offer to custom design and manufacture it on request.



Adapter 96 PCR, 3201085

## Alternatives

For the Thermoshake product line (heated and cooled shaker), please refer to the Heating, Cooling & Shaking (Thermoshake) brochure. The Thermoshake offers active cooling for faster cooling rates and even cool samples below ambient temperature for storage.

## Verification plate

INHECO offers a compact and precise measurement plate (IMP) in ANSI/SLAS (formerly SBS) format for verification of temperature and/or shaking performance. The IMP can be used on heating, cooling, shaking devices and inside incubation chambers. Please refer to the IMP brochure for more information.



INHECO Measurement Plate (IMP, 7901000)

Product	Part No.	Dimensions W x D x H (mm)	Weight	Temperature range
IMP	7901000	87.5 x 128 x 14.9	100 g	4 °C to 60 °C

## Accessories

Product	Part No.
MTC Compact	8900029
Multi TEC Control (MTC)	8900030
Single TEC Control (STC)	8900031

Product	Part No.
Black Slot Module	2400125
Yellow Slot Module	2400211
INHECO Measurement Plate	7901000

## Adapter plates<sup>1)</sup>

Product	Part No.
96 well PCR plate	3201085
384 well PCR plate	3201086

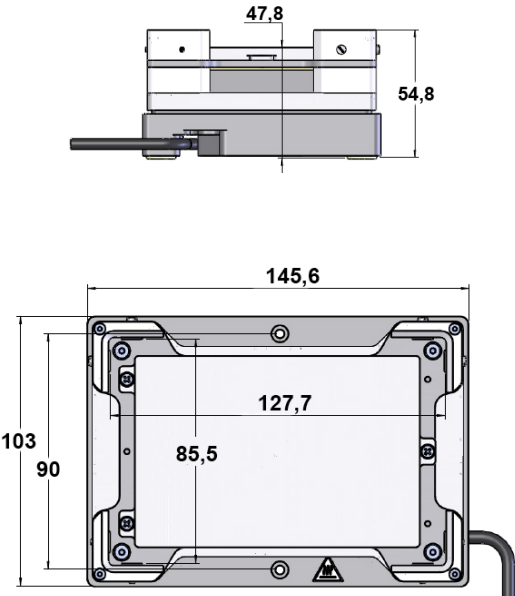
<sup>1)</sup>Please check our website for other available adapters. We also customize upon request.

The Teleshake 95 comes with a flat bottom adapter which can only be used for flat bottom plates.

Visit us on [www.inheco.com](http://www.inheco.com)

### Drawings

*Teleshake 95, 7100136*



*Teleshake 95 AC, 7100150*

