



Thermal Innovations and Products

CPAC Microplate

► [Datasheet](#)

CPAC Microplate

Product Description

The INHECO CPAC Microplate is the most compact heated and cooled position, built into the deck or ALP of a liquid handling system. Its footprint is hardly bigger than a microplate, most SBS listed plates can be fitted. With the heat sink located under the deck or in an ALP, it offers a very low overall height. The system is also suited for the heating and cooling of tubes and other disposables. The unit is a ready-to-install high performance thermoelectric device, CE and UL certified.

For single units, the temperature setting and control is performed through an INHECO Single TEC Control (STC) unit. For multiple units (up to six), the temperature setting and control is performed through an INHECO Multi TEC Control (MTC) unit. Please refer to the respective data sheets.

You can choose between various types of aluminum adapter plates to match the required disposable. A microplate positioner to facilitate precise gripper handling is also available. Adapter plates and positioner can be easily taken down for cleaning or changed to another configuration within minutes.



7000179: CPAC Microplate

Application Areas

The CPAC Microplate is mostly used on robotic platforms and systems in LabAutomation, to form temperature controlled areas, with direct and easy access by robotic grippers and pipetting heads. The CPAC Microplate is designed for the use in fundamental research, drug discovery, clinical research, diagnostics and other Life Science applications.

The CPAC Microplate is tested for the operation with a large number of established LabAutomation systems, primarily:

- Beckman: Biomek FX, NX
- Caliper: Sciclone
- Protodyne: BioCube



8900031: Single TEC Control (STC)

Variants

There are four variants available, which differ mainly in the temperature range. For the on-deck mounted positions, we refer to the CPAC Ultraflat data sheet.

Product	Article No.	Dimension W x D x H (mm)	Temperature range
CPAC Microplate ¹	7000179	89 x 128 x 103	+4°C to +70°C
CPAC Microplate HT ¹	7000195	89 x 128 x 103	+4°C to +90°C
CPAC Microplate HT 2-TEC ¹	7000163	89 x 128 x 112	+4°C to +110°C
CPAC Microplate Cycler HT 2-TEC ²	7000161	89 x 128 x 103	+4°C to +110°C

Height without upper Delrin frame.

¹ CPAC devices optimized for maintaining a constant temperature in the disposable

² CPAC device optimized for temperature cycling.

Verification Plate

INHECO offers a compact and precise measurement plate (IMP) in SBS format for verification of temperature and/or shaking performance. The IMP can be used on all INHECO LabAutomation heating, cooling, shaking and incubating devices. We refer to the IMP datasheet for more information.



7901000: INHECO Measurement Plate

Main Specifications

Specification	7000179	7000195	7000163/-161
Accuracy at 37°C target temperature*	±0,3°C	±0,3°C	±0,3°C
Uniformity at 37°C target temperature*	±0,5°C	±0,5°C	±0,5°C
Max. input cooling mode	15 Vdc / 4A	15 Vdc / 8A	24 Vdc / 4A
Min. input heating mode	15 Vdc / 4A	15 Vdc / 8A	24 Vdc / 4A
Input Fan	12 Vdc / 0,15A	12 Vdc / 0,15A	24 Vdc / 0,1A
Ambient temperature	15°C to 32°C	15°C to 32°C	15°C to 32°C

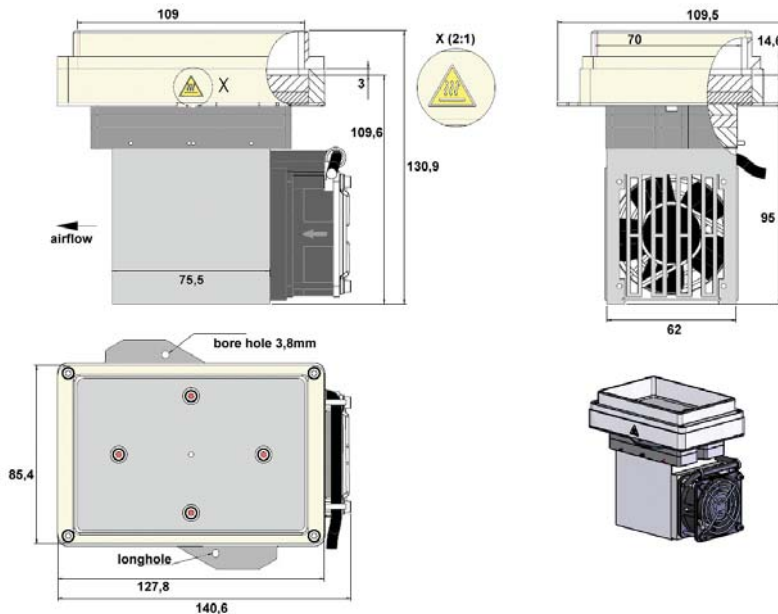
* Data refer to flat bottom plate at 22° ambient temperature



8900030: Multi TEC Control (MTC)

Drawings

CPAC Microplate HT 2-TEC



70000179: CPAC Microplate Footprint

Accessories & Related Products

Temperature Controller

Product	Article No.
Multi TEC Control (MTC)	8900030
Single TEC Control (STC)	8900031
Slot CPAC	2400128
INHECO Measurement Plate (IMP)	7901000
Heated Lid	8900026

Standard Adapter Plates*

Product	Article No.
Flat Bottom Plate	7900016
Micro Plate 96 PCR	3200203
Micro Plate 384 PCR	3200204

* Other formats available, see CPAC adapter plates data sheet. Customizing on request



7900016: Adapter Flat Bottom Plate

INHECO
Industrial Heating & Cooling GmbH

Fraunhoferstrasse 11
82152 Martinsried
Germany

Tel.: +49 (0)89 899593-101
Fax: +49 (0)89 899593-149

E-mail: sales@inheco.com
www.inheco.com

This Datasheet can also be downloaded from our website. For further information, please contact our sales department.

