



Thermal Innovations and Products

## CPAC Ultraflat

► [Datasheet](#)

# CPAC Ultraflat

## Product Description

The INHECO CPAC Ultraflat is a very compact single heated and cooled position, built onto the deck of a liquid handling system. It features an ultra-flat heat sink and fan to achieve the lowest possible height on the deck. Its footprint is hardly bigger than a microplate, most SBS listed disposables can be fitted. The system is also suited for the heating and cooling of tubes and other carrier formats. The unit is a ready-to-install high performance thermoelectric device, CE and UL certified.

For single units, the temperature setting and control is performed through the INHECO Single TEC Control unit. For multiple units (up to six), the temperature setting and control is performed through an INHECO MTC unit. Please refer to the respective data sheets. You can choose between various types of aluminum adapter plates to match the required disposable, a microplate positioner to facilitate precise gripper handling is also available. Adapter plates and positioner can be easily taken down for cleaning, or changed to another configuration within minutes.

## Application Areas

The CPAC Ultraflat is mostly used on robotic platforms and systems in Lab Automation to form temperature controlled areas, with direct and easy access by robotic grippers and pipetting heads. The CPAC Ultraflat is designed for the use in fundamental research, drug discovery, diagnostics, clinical research and other Life Science applications.

The CPAC Ultraflat is tested for the operation with a vast number of established LabAutomation systems, primarily:

Agilent: Bravo, BioCel  
Beckman: Biomek 2000, 3000  
Caliper: Zephyr  
Hamilton: Star  
Perkin Elmer: JANUS, Multiprobe II  
Tecan: Freedom EVO, Genesis, TEMO

## Variants

There are four variants available, which differ mainly in the temperature range. For the in-deck mounted positions, we refer to the CPAC Microplate data sheet.

Product	Article No.	Dimension W x D x H (mm)	Temperature range
CPAC Ultraflat <sup>1</sup>	7000190	88 x 128 x 80	+4°C to +70°C
CPAC Ultraflat HT <sup>1</sup>	7000191	88 x 128 x 80	+4°C to +90°C
CPAC Ultraflat HT 2-TEC <sup>1</sup>	7000166	88 x 128 x 80	+4°C to +110°C
CPAC Ultraflat Cyclor HT 2-TEC <sup>2</sup>	7000164	88 x 128 x 80	+4°C to +110°C

Height without upper Delrin frame.

<sup>1</sup> CPAC devices optimized for maintaining a constant temperature in the disposable

<sup>2</sup> CPAC device optimized for temperature cycling.

## Verification Plate

INHECO offers a compact and precise measurement plate (IMP) in SBS format for verification of temperature and/or shaking performance. The IMP can be used on all INHECO LabAutomation heating, cooling, shaking and incubating devices. We refer to the IMP datasheet for more information.



7000191: CPAC Ultraflat HT



8900031: Single TEC Control STC



7901000: INHECO Measurement Plate

# Main Specifications

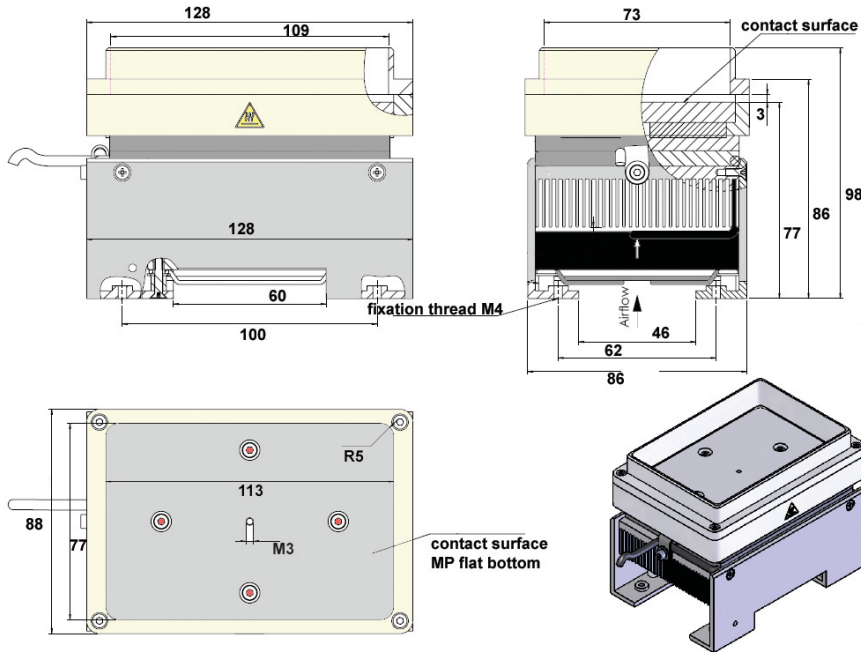
Specification	70000190/-191	7000164/-166
Accuracy at 37°C target temperature*	±0,3°C	±0,3°C
Uniformity at 37°C target temperature*	±0,5°C	±0,5°C
Max. input cooling mode	15 Vdc / 4A	24 Vdc / 4A
Min. input heating mode	15 Vdc / 4A	24 Vdc / 4A
Input Fan	12 Vdc / 0,15A	24 Vdc / 0,1A
Ambient temperature	15°C to 32°C	15°C to 32°C

\* Data refer to flat bottom plate at 22° ambient temperature



8900030: Multi TEC Control MTC

# Drawings



7000190: CPAC Ultraflat footprint

# Accessories & Related Products

## Temperature Controller

Product	Article No.
Multi TEC Control (MTC)	8900030
Single TEC Control (STC)	8900031
Slot CPAC	2400128
INHECO Measurement Plate (IMP)	7901000
Heated Lid	8900026

## Standard Adapter Plates\*

Product	Article No.
Flat Bottom Plate	7900016
Micro Plate 96 PCR	3200203
Micro Plate 384 PCR	3200204

\* Other formats available, see CPAC adapter plates data sheet. Customizing on request



7900016: Adapter Flat Bottom Plate

**INHECO**  
Industrial Heating & Cooling GmbH

Fraunhoferstrasse 11  
82152 Martinsried  
Germany

Tel.: +49 (0)89 899593-101  
Fax: +49 (0)89 899593-149

E-mail: [sales@inheco.com](mailto:sales@inheco.com)  
[www.inheco.com](http://www.inheco.com)

This Datasheet can also be downloaded from our website. For further information, please contact our sales department.

