



Thermal Innovations and Products

Variomag Thermoshake

► [Datasheet](#)

Variomag Thermoshake

Product Description

INHECO's Variomag Thermoshake is one of the most compact heated and cooled shaking positions for a wide range of standard SBS plates and tubes. The Thermoshake can be placed on the deck of liquid handling systems with the lowest possible consumption of space. It combines excellent control of temperature and fluid mixing. The cooling function offers the unique possibility to stop reactions quickly by reducing the temperature of the liquid samples. Shaking curves are linear and orbital.

The Variomag Thermoshake can be ordered with two types of precise temperature/rpm controllers: The Single TEC Control (STC) to control a single Thermoshake, or a MTC Multi TEC Control, to control up to 6 units. Both controllers have an integrated power supply, we refer to the respective data sheets. Software and verification tools are available to form a complete thermal solution for all kinds of applications. The unit is a plug-and-play high performance heating device with CE and UL certification. An adapter for Flat Bottom Plates is integrated.



7100146: Variomag Thermoshake

Application Areas

The Thermoshake is mainly used on robotic platforms and systems in LabAutomation to form an open and temperature controlled area for one disposable. It offers direct and easy access by robotic grippers for loading and unloading and also direct access with pipetting heads. The Variomag Thermoshake is designed for the use in fundamental research, drug discovery, clinical research, diagnostics and other Life Science applications.

The Variomag Thermoshake is tested for the operation with a vast number of established LabAutomation systems, primarily:

Beckman:	Biomek 2000, 3000, FX, NX	Xiril:	75, 100, 150 Series
Caliper:	Sciclone, Zephyr	Protodyne:	BioCube
PerkinElmer:	JANUS, Multiprobe II	Hamilton:	Star
Tecan:	Freedom EVO, Genesis, TEMO	Agilent:	BioCel



8900030: Multi TEC Control (MTC)

Variants

There are two variants available, which differ mainly in height of the unit. For the heating-only shaker Variomag Teleshake 95 and the non-heated Variomag Teleshake, we refer to the Variomag Teleshake 95 data sheet.

Product	Article No.	Dimensions W x D x H (mm)	RPM max.	Weight (kg)	Temperature range
Variomag Thermoshake	7100146	104 x 147 x 119	2.000	3,5	+4°C to +70°C
Variomag Thermoshake ¹	7100144	104 x 147 x 116	2.000	3,5	+4°C to +70°C

¹ For Tecan Roma gripper

Verification Plate

INHECO offers a compact and precise measurement plate (IMP) in SBS format for verification of temperature and/or shaking performance. The IMP can be used on all INHECO LabAutomation heating, cooling, shaking and incubating devices. We refer to the IMP datasheet for more information.



7901000: INHECO Measurement Plate

Main Specifications

Specification	7100146	7100144
Accuracy at 37°C target temperature*	±0,8°C	±0,8°C
Uniformity at 37°C target temperature*	±0,6°C	±0,6°C
Max. RPM**	2.000	2.000
Amplitude (mm)	2	2
Input	24Vdc ±10%	24Vdc ±10%
Ambient temperature	15°C to 32°C	15°C to 32°C

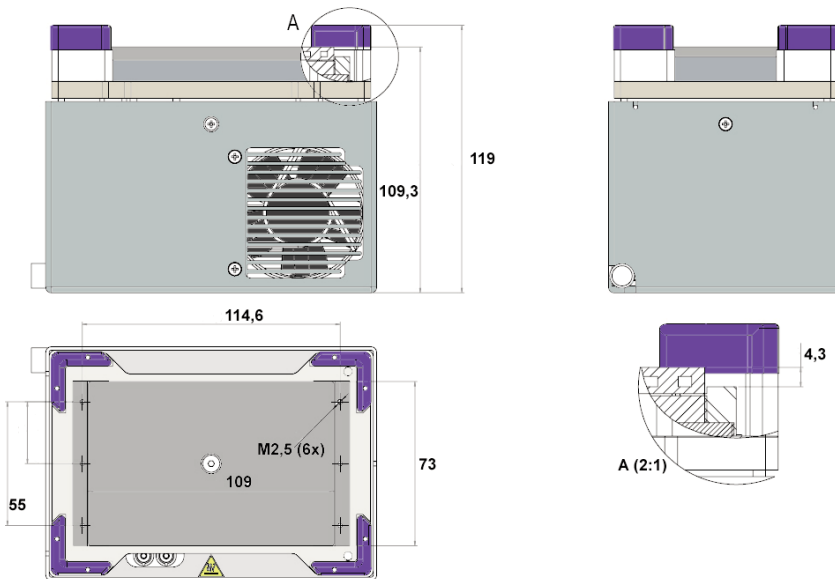
* Data refer to 96 well flat bottom microplate at 22°C ambient temperature

** RPM depending on shaker load



7100144: Variomag Thermoshake

Drawings



8900031: Single TEC Control (STC)

Accessories & Related Products

Product	Article No.
Multi TEC Control (MTC)	8900030
Single TEC Control (STC)	8900031
Shaker Slot	2400125
INHECO Measurement Plate	7901000
Cooling Fluid	3800053

Standard Adapter Plates*

Product*	Article No.
Round bottom plate	3200245
96 Pos. PCR plate	3201085
384 Pos. PCR plate	3201086

* Other formats available, see Shaker adapter plates data sheet. Customizing on request



3800053: Thermoshake cooling fluid

INHECO
Industrial Heating & Cooling GmbH

Fraunhoferstrasse 11
82152 Martinsried
Germany

Tel.: +49 (0)89 899593-101
Fax: +49 (0)89 899593-149

E-mail: sales@inheco.com
www.inheco.com

This Datasheet can also be downloaded from our website. For further information, please contact our sales department.

