



Thermal Innovations and Products

CPAC Ultraflat

► [Datasheet](#)

CPAC Ultraflat

Product Description

The INHECO CPAC Ultraflat is a very compact single heated and cooled position, built onto the deck of a liquid handling system. It features an ultra-flat heat sink and fan to achieve the lowest possible height on the deck. Its footprint is hardly bigger than a microplate, most SBS listed disposables can be fitted. The system is also suited for the heating and cooling of tubes and other carrier formats. The unit is a ready-to-install high performance thermoelectric device, CE and UL certified.

For single units, the temperature setting and control is performed through the INHECO Single TEC Control unit. For multiple units (up to six), the temperature setting and control is performed through an INHECO MTC unit. A slot module is required to connect the CPAC Ultraflat to the STC/MTC. You can choose between various types of aluminum adapter plates to match the required disposable, a microplate positioner to facilitate precise gripper handling is also available. Adapter plates and positioner can be easily taken down for cleaning, or changed to another configuration within minutes.

Application Areas

The CPAC Ultraflat is mostly used on robotic platforms and systems in Lab Automation to form temperature controlled areas, with direct and easy access by robotic grippers and pipetting heads. The CPAC Ultraflat is designed for the use in fundamental research, drug discovery, diagnostics, clinical research and other Life Science applications.

The CPAC Ultraflat is integrated with a large number of established LabAutomation systems, primarily:

- Agilent: Bravo, BioCel
- Beckman: Biomek 3000
- Hamilton: Star Line
- PerkinElmer: JANUS, Multiprobe II
- Tecan: Freedom EVO, Genesis, TEMO

Variants

There are two variants available, which differ in the temperature range and temperature cycling capability. For the in-deck mounted positions, we refer to the CPAC Microplate data sheet.

Product	Article No.	Dimension W x D x H (mm)	Temperature range
CPAC Ultraflat ¹	7000190	88 x 128 x 80	+4°C to +70°C
CPAC Ultraflat HT 2-TEC ²	7000166	88 x 128 x 80	+4°C to +110°C

Height without upper Delrin frame.

¹ CPAC devices optimized for maintaining a constant temperature in the disposable

² CPAC device optimized for high temperature and temperature cycling.

Verification Plate

INHECO offers a compact and precise measurement plate (IMP) in SBS format for verification of temperature and/or shaking performance. The IMP can be used on all INHECO LabAutomation heating, cooling, shaking and incubating devices. We refer to the IMP datasheet for more information.



7000191: CPAC Ultraflat HT



8900031: Single TEC Control STC



7901000: INHECO Measurement Plate

Main Specifications

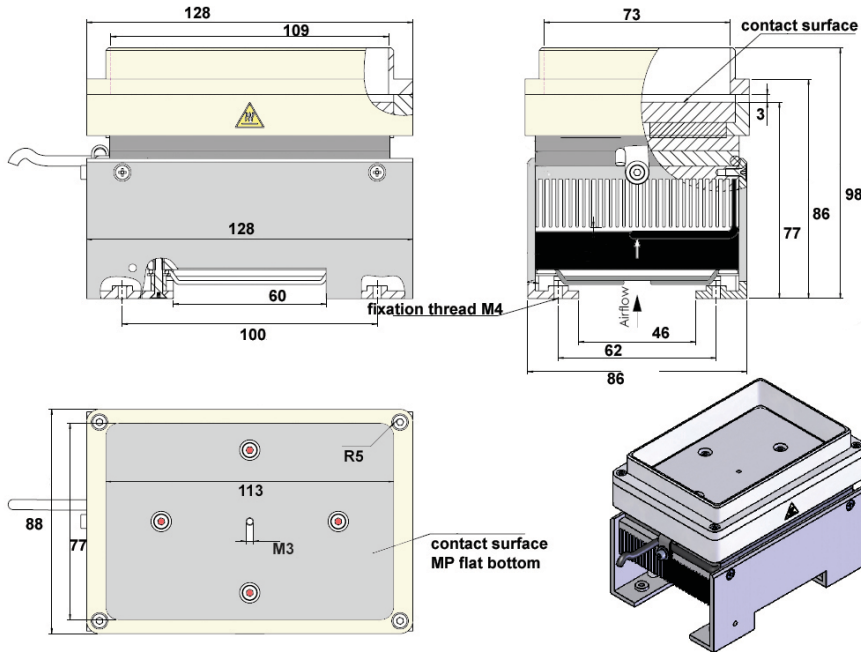
Specification	70000190	7000166
Accuracy at 37°C target temperature*	±0,3°C	±0,3°C
Uniformity at 37°C target temperature*	±0,5°C	±0,5°C
Max. input cooling mode	15 Vdc / 4A	24 Vdc / 4A
Min. input heating mode	15 Vdc / 4A	24 Vdc / 4A
Input Fan	12 Vdc / 0,15A	24 Vdc / 0,1A
Ambient temperature	15°C to 32°C	15°C to 32°C

* Data refer to flat bottom plate at 22° ambient temperature



8900030: Multi TEC Control MTC

Drawings



7000190: CPAC Ultraflat footprint



8900033: Heated Lid

Accessories

Product	Article No.	Product	Article No.
Multi TEC Control (MTC)	8900030	Flat Bottom Plate*	7900016
Single TEC Control (STC)	8900031	Micro Plate 96 PCR*	3200203
Slot CPAC 12V (blue)	2400128	Micro Plate 384 PCR*	3200204
Slot CPAC HT 2-TEC 24V (black)	2400125	External Sensor	2400140
Heated Lid	8900033	* Other formats available, see CPAC/HeatPAC adapter plates data sheet. Customizing on request.	
INHECO Measurement Plate (IMP)	7901000		



7900016: Adapter Flat Bottom Plate

INHECO
Industrial Heating & Cooling GmbH

Fraunhoferstrasse 11
82152 Martinsried
Germany

Tel.: +49 (0)89 899593-101
Fax: +49 (0)89 899593-149

E-mail: sales@inheco.com
www.inheco.com

This Datasheet can also be downloaded from our website. For further information, please contact our sales department.

