



Thermal Innovations and Products

HeatPAC

► [Datasheet](#)

HeatPAC

Dimensions & Compatibility

The INHECO HeatPAC is a very compact unit with super low height of only 40 mm at disposable contact surface. This low height makes it ideal for liquid handling workstations with limited space between the pipetting head and the heating block, eliminating the need for cut-outs and enabling the use of deepwell disposables. Its footprint is hardly bigger than a microplate, most SBS listed disposables can be fitted. The system is also suited for the heating of tubes and other carrier formats. Cable routings are flexible, allowing the cable either to exit downwards or sideways. The unit is a ready-to-install high performance resistance heater device, CE and UL certified.

Temperature Control

Samples can be kept at any chosen temperature between ambient and 95°C or higher with the HeatPAC contact surface reaching up to 135°C. The temperature setting and control is performed through an INHECO Single TEC Control (STC) unit for single devices. For multiple units (up to six), the temperature setting and control is performed through an INHECO MTC unit. To connect the HeatPAC to the STC/MTC, a slot module is required. Please refer to the respective datasheets. You can choose between various types of aluminum adapter plates to optimize the heat transfer and temperature uniformity for a range of commonly used microplates, deepwell plates, tubes and reservoirs. A microplate positioner to facilitate precise gripper handling is also available. Please refer to the datasheet of our standard adapters or ask for a custom adapter. A heated lid to avoid evaporation and to increasing heating rates is also available.

Application Areas

The HeatPAC is mostly used on robotic platforms and systems in Lab Automation to form temperature controlled areas, with direct and easy access by robotic grippers and pipetting heads. The HeatPAC is designed for the use in fundamental research, drug discovery, diagnostics, clinical research and other Life Science applications.

The HeatPAC utilizes the same control units (STC, MTC) as the INHECO heating/cooling and shaker product ranges, which allows effortless integration into all major liquid handling systems, such as:

Agilent:	Bravo	PerkinElmer:	Janus
Beckman:	Biomek FX, NX	Tecan:	Freedom EVO
Caliper:	Sciclone, Zephyr	Sias:	Xantus
Hamilton:	Star Line	Zinsser:	Lissy

Variants

The HeatPAC can control temperatures above ambient temperature. For heating with accelerated (active) cooling or cooling below ambient temperature please refer to our CPAC heating/cooling product range and the respective datasheets.

Product	Article No.	Dimension W x D x H (mm)	Temperature range
HeatPAC	7900046	88 x 128 x 40	Amb. to +135°C

Verification Plate

INHECO offers a compact and precise measurement plate (IMP) in SBS format for verification of temperature and/or shaking performance. The IMP can be used on all INHECO LabAutomation heating, cooling, shaking and incubating devices. We refer to the IMP datasheet for more information.



7900046: HeatPAC with Flat Bottom Adapter



8900031: Single TEC Control STC



7901000: INHECO Measurement Plate

Main Specifications

Specification

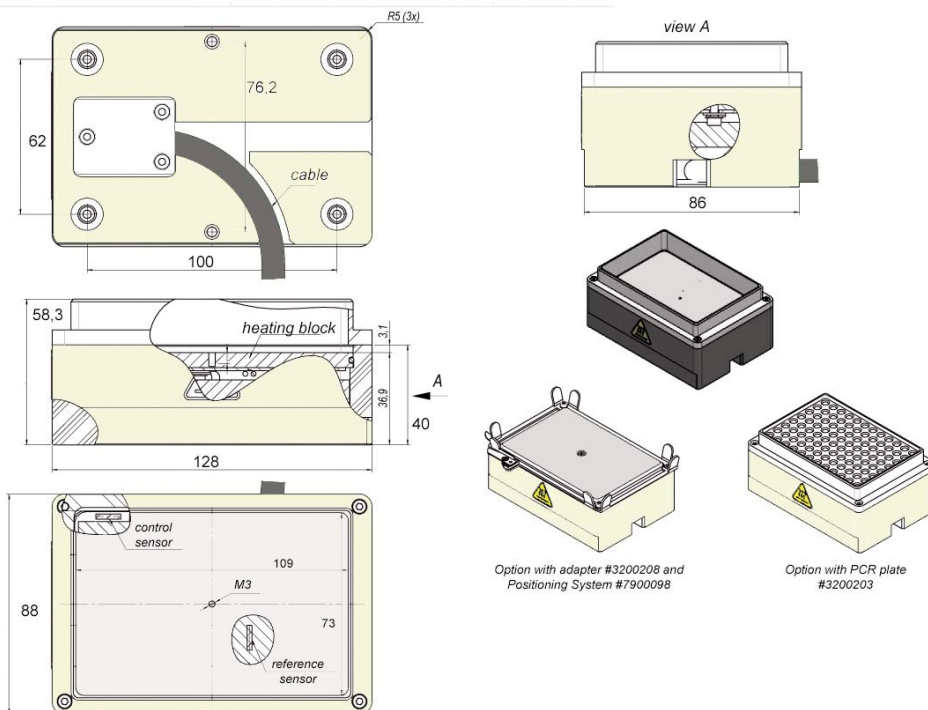
7900046

Accuracy at 37°C target temperature	±0,5°C
Uniformity at 37°C target temperature	±0,5°C
Max. input cooling mode	24 Vdc / 4A
Ambient temperature	15°C to 32°C



8900030: Multi TEC Control MTC

Drawings



7900046: HeatPAC footprint



7900046 HeatPAC with 8900033 Heated Lid

Accessories

Product	Article No.	Product	Article No.
Multi TEC Control (MTC)	8900030	Flat Bottom Plate*	7900016
Single TEC Control (STC)	8900031	Micro Plate 96 PCR*	3200203
Slot HeatPAC / CPAC 2-TEC	2400125	Micro Plate 384 PCR*	3200204
INHECO Measurement Plate (IMP)	7901000	External Sensor	2400140
Heated Lid	8900033	* Other formats available, see CPAC/HeatPAC adapterplates data sheet. Customizing on request	



7900016: Adapter Flat Bottom Plate

INHECO
Industrial Heating & Cooling GmbH

Fraunhoferstrasse 11
82152 Martinsried
Germany

Tel.: +49 (0)89 899593-101
Fax: +49 (0)89 899593-149

E-mail: sales@inheco.com
www.inheco.com

This Datasheet can also be downloaded from our website. For further information, please contact our sales department.

