



Thermal Innovations and Products

Single TEC Control

► [Datasheet](#)

Single TEC Control

Product Description

The INHECO Single TEC Control (STC) is a compact plug & play temperature and RPM controller for the use with INHECO's CPAC and temperature controlled shaking devices. The controller box includes a temperature controller with high accuracy, a device connector slot, a touch display, a wide-range power supply for worldwide use, an USB interface, a rugged housing and a RPM controller for shaking operations.

The STC can be individually equipped with a controller slot for the CPAC devices or with a controller slot for temperature controlled shakers. The device slot can be exchanged easily, giving maximum flexibility. The STC can be either operated manually using the touch screen, or through an USB interface. The soft- and firmware of the controller allows programming of complex temperature and shaking sequences.



8900031: INHECO STC

Application Areas

The STC is mostly used together with the principal INHECO heating/cooling/ shaking units in/on robotic platforms and systems in Lab Automation. The purpose is to form temperature controlled areas, which offer direct and easy access by robotic grippers and pipetting heads. The STC is designed for the use in fundamental research, drug discovery, clinical research and diagnostics in the Life Science market. The STC is also prepared for use in customer IVD applications.

The STC is used with the following INHECO heating/cooling units:

- CPAC Microplate
- CPAC Ultraflat
- Variomag Teleshake
- Variomag Thermoshake

For further information on these units, see the relevant data sheets, which can be downloaded from our website

Variants

There are no other variants available, the INHECO STC is specially designed for controlling a single temperature controlled position. For multiple controlled positions we refer to the Datasheet Multi TEC Control MTC, which can be downloaded from our website.

Product	Article No.	Dimension W x D x H (mm)	Weight (kg)
Single TEC Control STC	8900031	147 x 224 x 177	3,3 kg

Product Services

In order to maximize the performance of the installed STC, INHECO offers to determine the temperature offset value for specific plates, design and production of customized thermal plate adapters and deck adapter flanges, calibration of complete systems and verification/validation experiments. Test units are available on request.



8900031: Backside

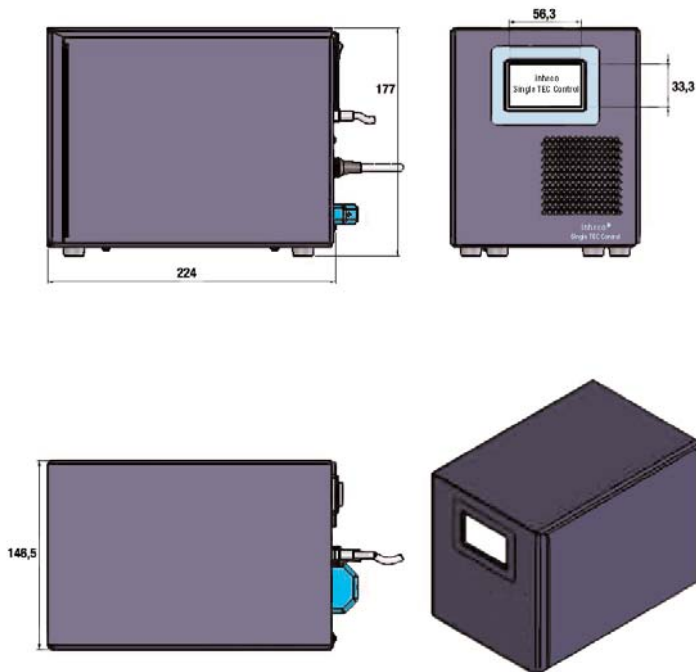
Main Specifications

Specification	8900031
Input	100-240Vac, 50/60 Hz
Output	1x 24Vdc, 4,5A
Accuracy	±0,5°C
Output CPAC Slot	12-14V, 4,5A
Output Shaker Slot	24V 4,5A
Ambient temperature at max. power	15°C to 32°C
Interface	USB (1.1 or 2.0)



8900031: Easy access to device slot

Drawings



Accessories & Related Products

Product	Article No.
MTC/STC Slot CPAC / CPAC HT	2400128
MTC/STC Slot Shaker / CPAC HT 2-TEC	2400125



2400125 Device Slot Shaker

INHECO
Industrial Heating & Cooling GmbH

Fraunhoferstrasse 11b
82152 Martinsried / Munich
Germany

Tel.: +49 (0)89 89 577-314
Fax: +49 (0)89 89 577-349

E-mail: sales@inheco.com
www.inheco.com

This Datasheet can also be downloaded from our website. For further information, please contact our sales department.

