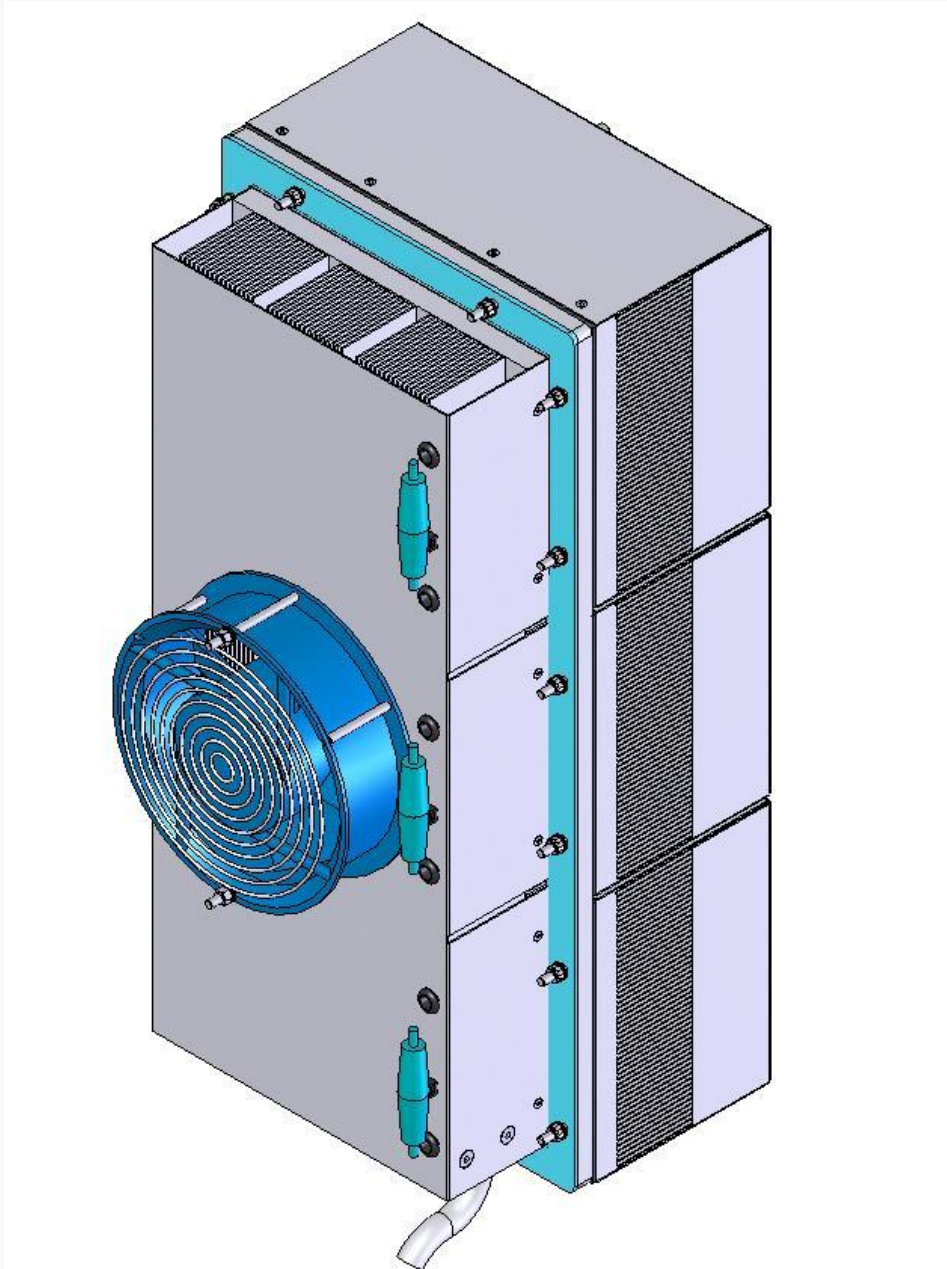


**Thermoelectric Air Conditioner
Heating & Cooling Unit
ACAC 1800 BTU V Ex Proof
for hazardous environment**

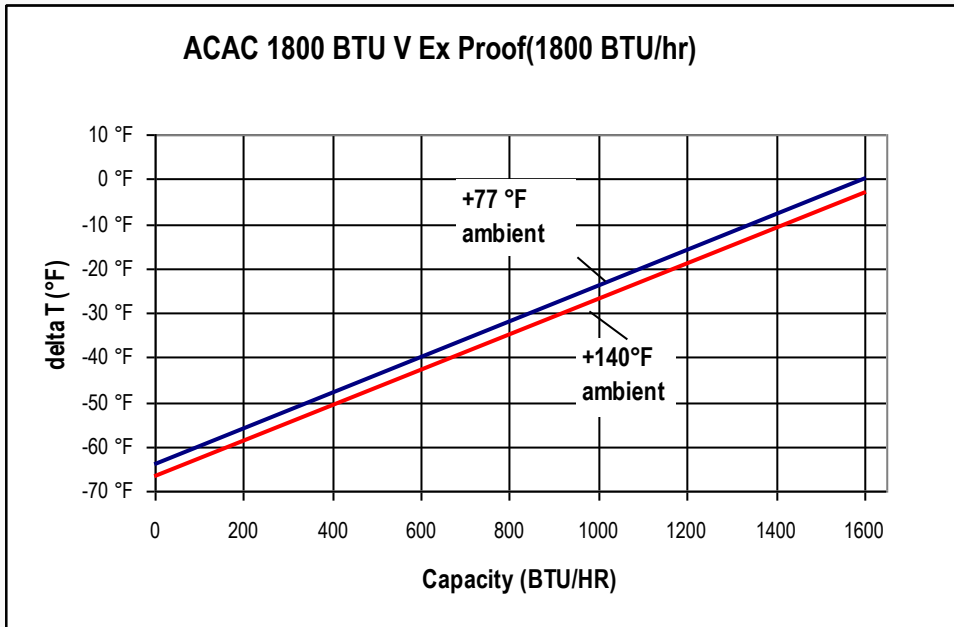
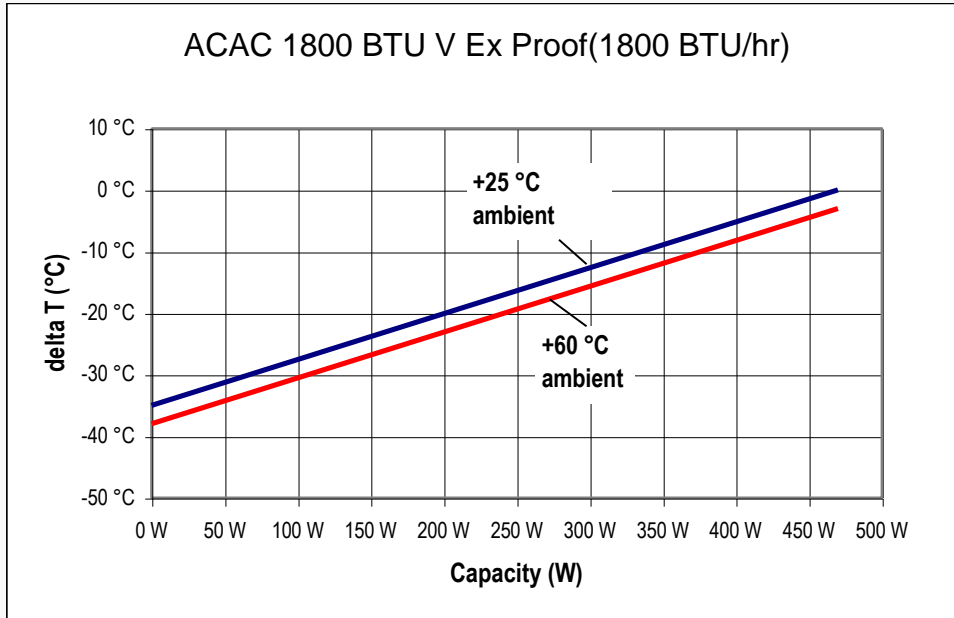
**Explosion Proof Rating ATEX Zone 2 T5
Dust and Water Protection Standard IP54**



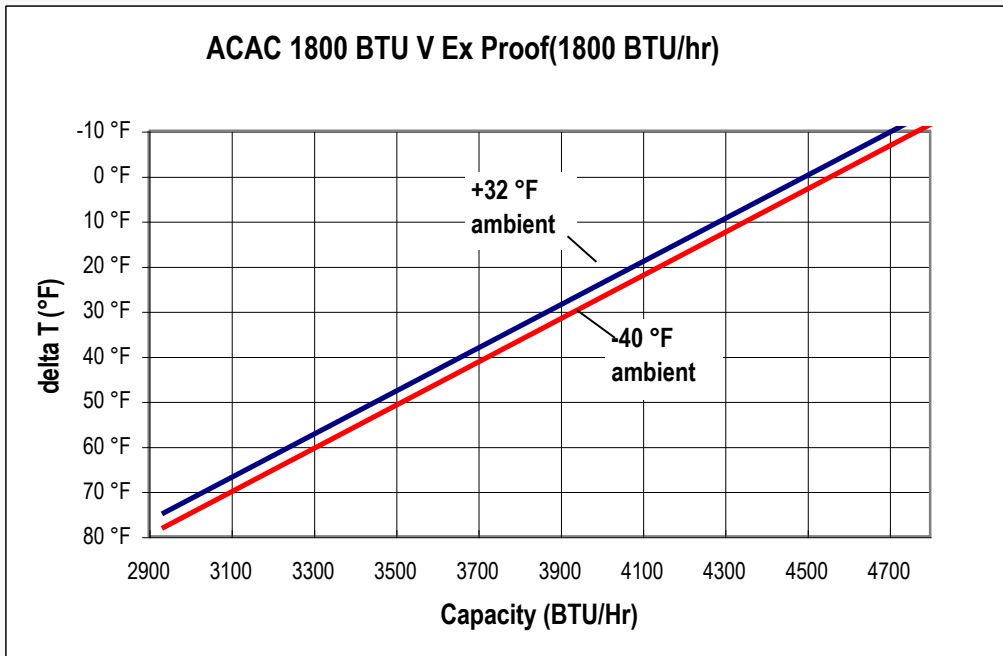
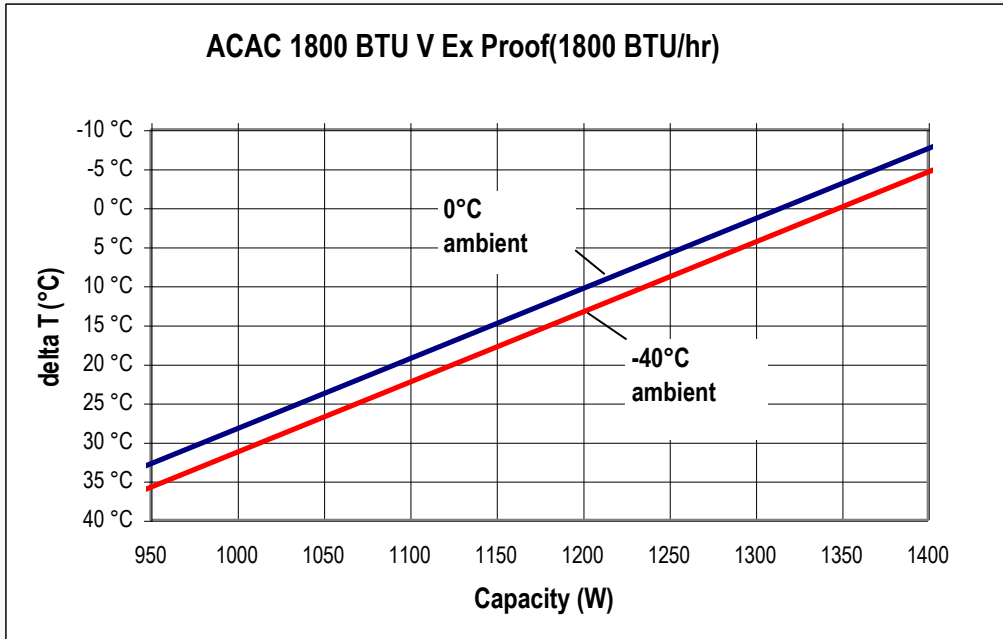
INHECO part number: 870003

► Performance curve for ACAC 1800 BTU V Ex Proof

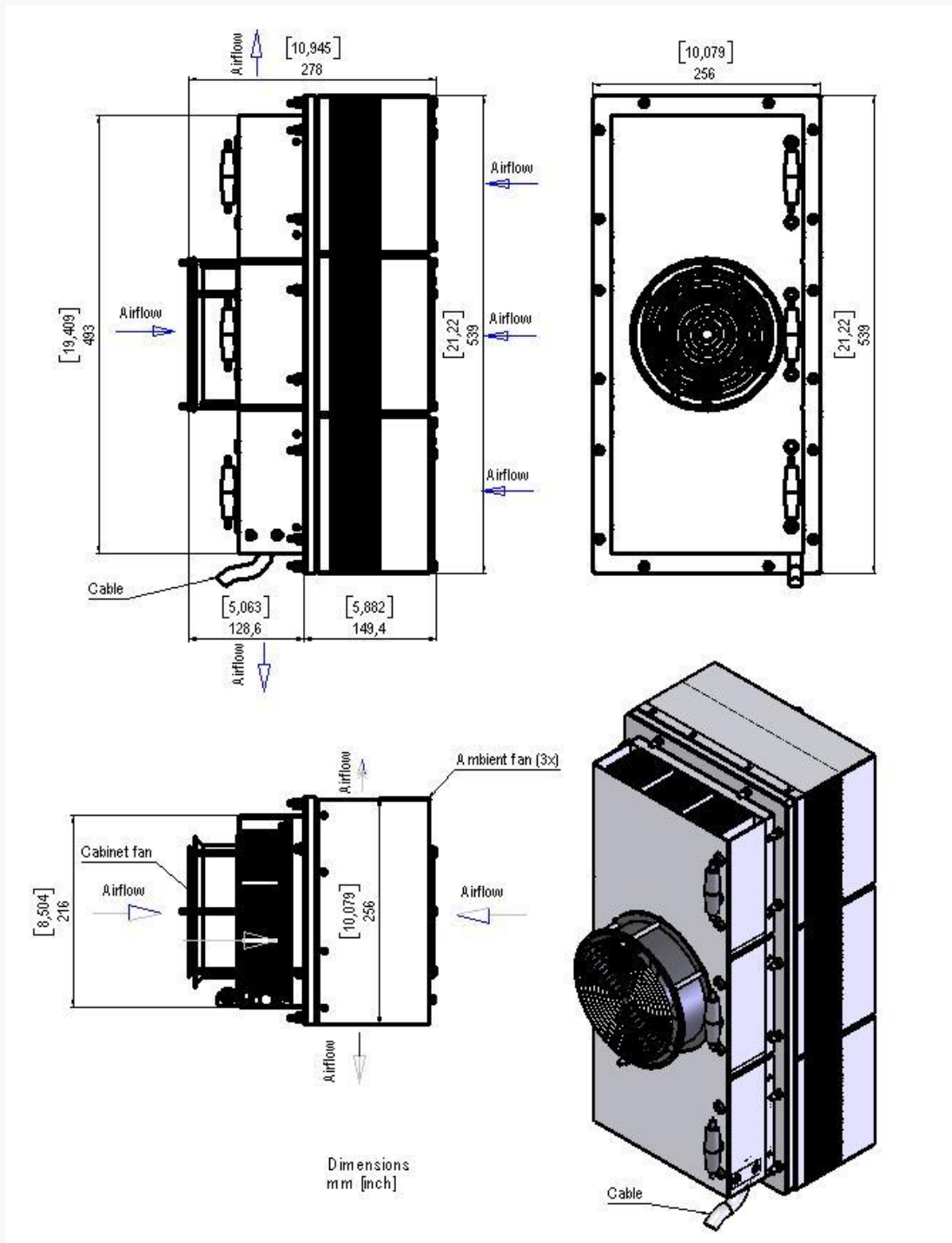
Cooling Data



Heating Data



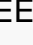
► **Dimensions ACAC 1800 BTU H Ex Proof**



► **Features:**

- gasket certified ATEX Zone 2 T5
- temperature sensor
- safety switch / thermal fuse for over-temperature
- drip pan on request

► Technical Specifications ACAC1800 BTU V Ex Proof

Electric Data	
Max. Capacity at +25°C (+77 °F) ambient and $\Delta T = 0^\circ\text{C}$ (+0°F)	540 W (1800BTU / hr)
Powersupply Thermoelectric module	125 Vdc max. @ 1500 W
Powersupply Ambient Fans	24 Vdc @ 56 W
Powersupply Cabinet Fan	24 Vdc @ 18 W
Max. Ambient Temperature*	+49 °C (+120 °F)
Min. Ambient Temperature*	-40 °C (-40 °F)
Ambient Fan Air Flow	410 m ³ /h (241.3 CFM)
Ambient Fan Air Flow	410 m ³ /h (241.3 CFM)
Weight	about 30 kg (66 lb)
Ratings certified by TÜV Product Service, Germany	CE,  II 3G EEx nA II T5 X
Overall Dimensions	H 280 mm x W 256 mm x D 539 mm (H 10,95" x W 10,08" x D 21,22")

INHECO
Industrial Heating & Cooling GmbH
Fraunhoferstrasse 11
82152 Martinsried
Phone +49 (0)89 899593-101
Fax +49 (0)89 899593-149
email sales@inheco.com

Website  www.inheco.com