

# **Thermoelectric Air Conditioner ACAC 600 BTU Ex Proof**

**Heating & Cooling Unit for hazardous environment**

**Explosion Proof Rating ATEX Zone 2 T5  
Dust and Water Protection Standard IP55**

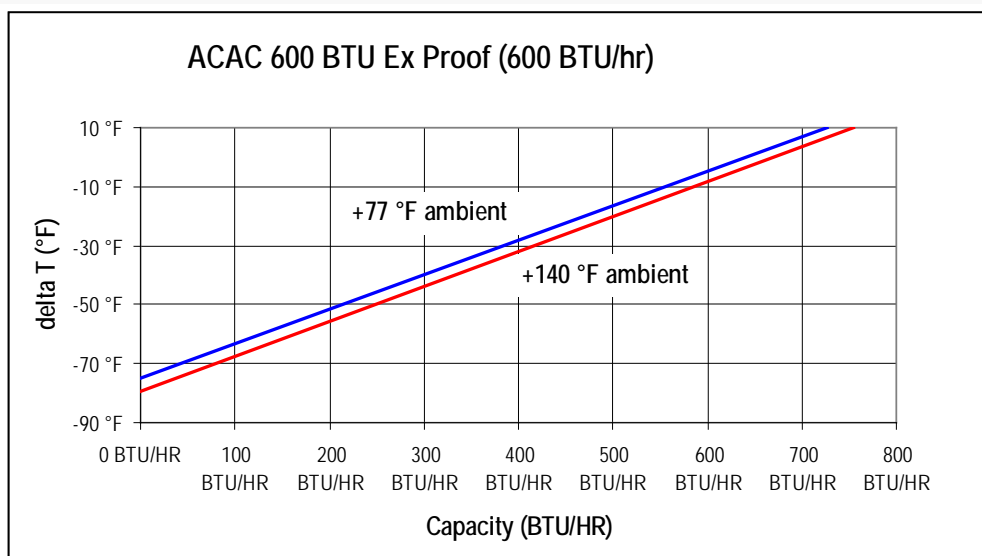
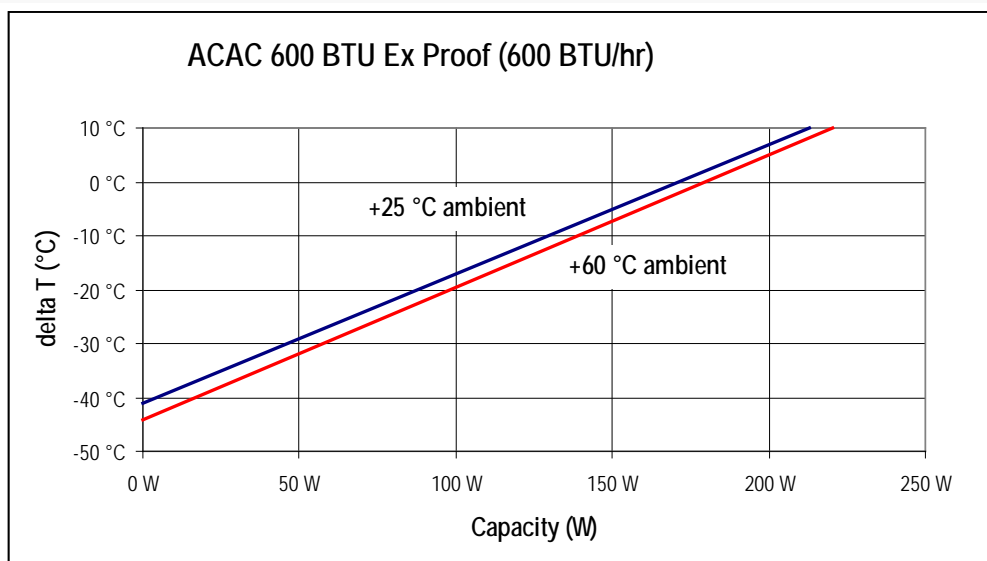


**INHECO part number: 8700001**

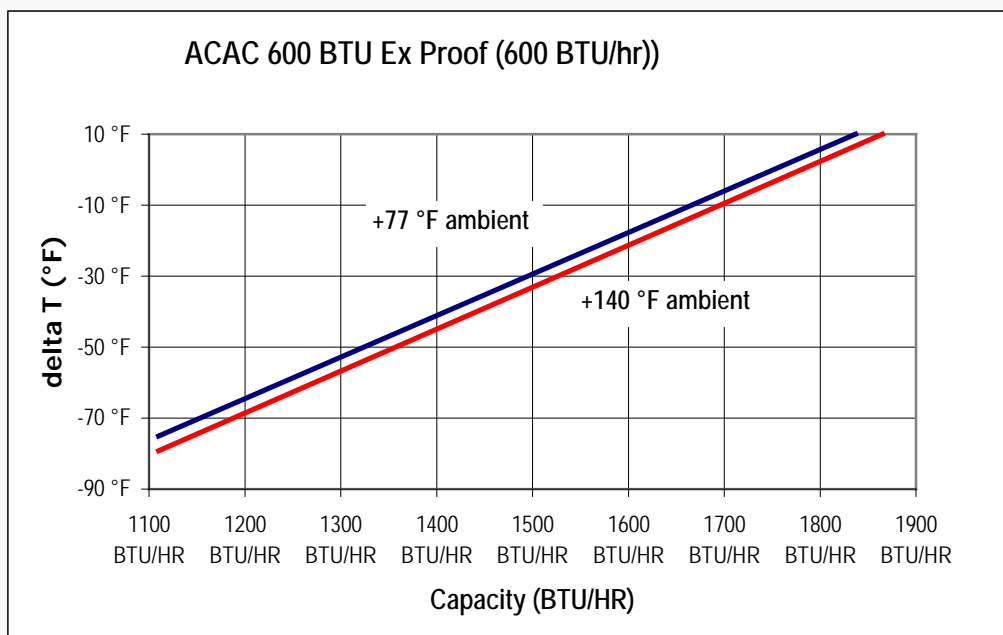
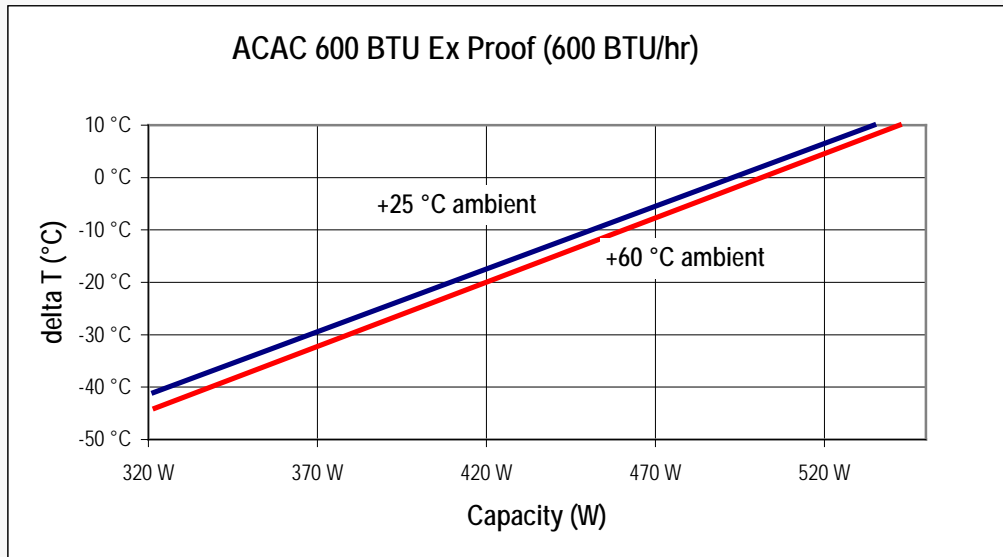
**No Controller & Power Supply provided by INHECO**

► **Performance curve for ACAC 600 BTU Ex Proof**

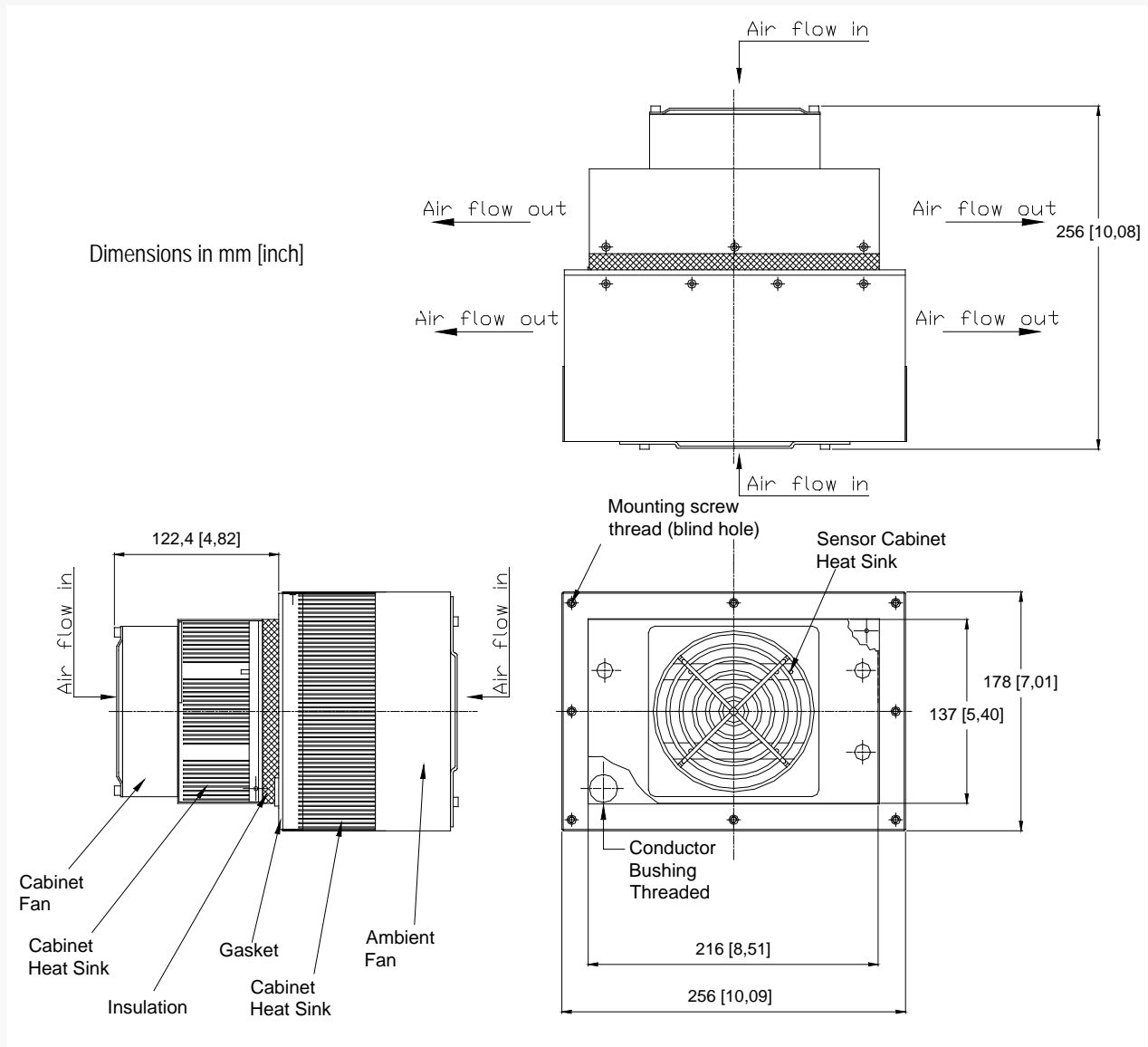
**Cooling Data**



## Heating Data



► **Dimensions ACAC 600 BTU Ex Proof**



► **Features:**

- gasket certified ATEX Zone 2 T5
- temperature sensor
- safety switch / thermal fuse for over-temperature
- drip pan on request

► **Technical Specifications ACAC 600 BTU Ex Proof**

Max. power at +25 °C (+77 °F) ambient temperature and $\Delta T = 0$ °C (+32 °F)	176 W (600 BTU/h) see operating characteristic curves
Operating voltage for TEC and fans	24 V DC
Maximum operating current TEC	20 A DC
Operating current of the enclosure fan (internal space)	0.395 A DC $\pm 12.5\%$
Operating current of the ambient fan	0.600 A DC $\pm 12.5\%$
Maximum power consumption	480 W at 24 V DC
Max. ambient temperature	+55 °C (+131 °F)
Min. ambient temperature	-40 °C (-40 °F)
Weight	9.4 kg (20.7 lb)
Index of Protection enclosure fan (internal space)	IP20
Index of Protection ambient fan	IP55
Maximum noise level	65 dBA
Equipment category	Ex II 3G Ex nA IIA T5 Gc
Overall Dimensions	H 254 mm x W 178 mm x D 244 mm (H 10" x W 7" x D 9.6")

► **Contact**

**INHECO GmbH**  
**Fraunhoferstrasse 11**  
**82152 Martinsried**  
**Germany**

**Phone:** +49 (0)89 899593-101  
**Fax:** +49 (0)89 899593-149  
**e-mail:** [sales@inheco.com](mailto:sales@inheco.com)

**Website:** [www.inheco.com](http://www.inheco.com)