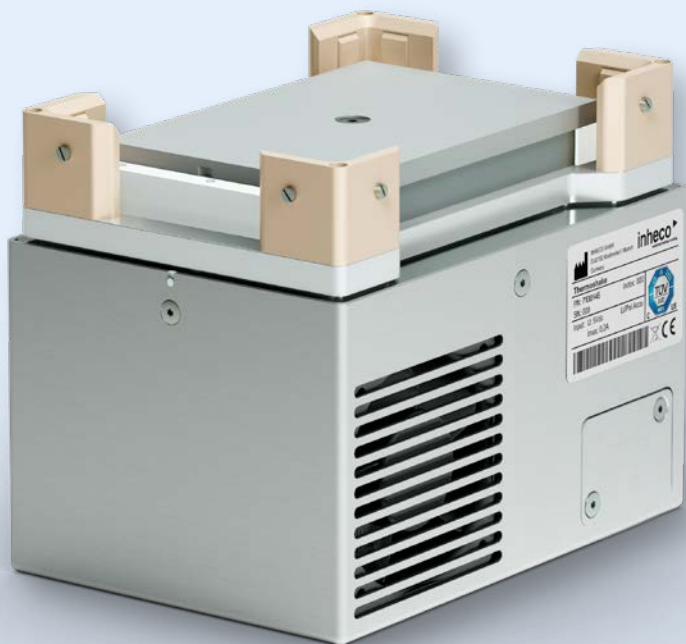




Heating, Cooling & Shaking

Thermoshake, Thermoshake AC



⊕ Benefits

- ▶ Unique all-in-one shaker
- ▶ Automated labware clamping (AC)
- ▶ Flexible disposable use
- ▶ Central zero positioning
- ▶ Very compact design

⊕ Function

- ▶  Heating
- ▶  Cooling
- ▶  Shaking

Compact "all-in-one" Heating/Cooling/Shaking

Unique heating and cooling shaking solution with optional automated clamping for robotic integration.



Thermoshake product line

Product Description

The INHECO Thermoshake is the only device available for use on robotic workstations, that combines a heated shaker function with active cooling. To make it the "swiss knife" of instruments, a new version with automated labware clamping and higher shaking performance is now available. Compared to the classic Thermoshake, the new Thermoshake AC is equipped with a stronger shaker motor resulting in higher shaking frequencies and higher load capacity, as well as a newly developed automated labware clamping mechanism, to facilitate the use of a wide variety of disposable formats and to increase process reliability.

The Peltier based heating/cooling function is independent from the shaking system, the temperature transfer to the plate locator is managed by a small liquid loop inside the Thermoshake. Consequently, the reduced weight of the shaking plate makes it possible to achieve higher shaking frequencies, with a longer lifetime for the Peltier unit due to the avoidance of shaking vibrations. The Peltier cooling is ideal for use at ambient room conditions, as it counters the usual self-heating found on almost all other shakers.

Application areas

The Thermoshake has a very small footprint and is as such one of the most compact heating/cooling/shaking solutions for standard ANSI/SLAS plate formats or other reagent containers or tubes. The cooling function allows to store temperature sensitive samples upfront of the use in an assay or to stop reactions quickly by reducing the temperature of the liquid samples in the same position on deck without the need to move the disposable. This is especially helpful, when working without a gripper but if manual plate movement should be avoided.

The shaking plate is easily accessible by most of the robotic grippers to load and unload the Thermoshake. A variant of the classic Thermoshake - called Thermoshake RM - is available for the Tecan Freedom EVO and the Fluent platforms for the use with the Tecan RoMa gripper.

The unit is a plug-and-play high performance heating & cooling device with CE and UL certification. An adapter for Flat Bottom Plates is integrated.

Features

- Heating, cooling & shaking in one device
- Temperature range: +4°C to +70°C
- Selectable orbital or linear shaking pattern
- AC model: orbital shaking only
- Active clamping of disposable (AC model)
- Zero positioning function for comfortable robotic gripping
- For standard ANSI/SLAS format plates and tubes
- No self-heating, enabling accurate incubation at ambient conditions
- Shaking frequency: 100 to 2.000 RPM (200 to 3.000 for AC model)
- AC model: customized clamping rods for different labware



7100146: Thermoshake



7100160: Thermoshake AC

Product	Part No.	Dimensions W x D x H (mm)	RPM	Temperature range
Thermoshake	7100146	104 x 147 x 118	100 - 2.000	+4°C to 70°C
Thermoshake RM ¹	7100144	104 x 147 x 116	100 - 2.000	+4°C to 70°C
Thermoshake AC	7100160	104 x 147 x 115	200 - 3.000	+4°C to 70°C

1) For Tecan Roma gripper, 2mm lower in height, blue brackets



7100160: clamping rods

Main Specifications

Specifications	7100146 & 7100144	7100160
Accuracy at 37°C target temperature *	±0.3°C	±0.3°C
Uniformity at 37°C target temperature*	±0.3°C	±0.3°C
Max. RPM**	2.000	3.000
Amplitude (mm)	2	2
Input	24Vdc ± 10%	24Vdc ± 10%
Ambient temperature	+15°C to +32°C	+15°C to +32°C

* Data refer to 96 well flat bottom microplate at 22°C ambient temperature

** RPM depending on shaker load, max load 500gr.

The Thermoshake is used for the operation with a large number of established LabAutomation systems, for example:

Beckman:	Biomek 3000, 4000FX, NX, iSeries
PerkinElmer:	JANUS, Multiprobe II, Sciclone, Zephyr
Hamilton:	Star Line, Nimbus, Vantage
Tecan:	Freedom EVO, Genesis, TEMO, Fluent
Agilent:	Bravo, BioCel
Protodyne:	BioCube
Xiril:	75, 100, 150 Series



7901000: INHECO Measurement Plate

Verification Plate

INHECO offers a compact and precise measurement plate (IMP) in ANSI/ SLAS format for verification of temperature and/or shaking performance. The IMP can be used on heating, cooling, shaking devices and inside incubation chambers. We refer to the IMP brochure for more information.

Controller & Accessoires

For single Thermoshake units, the power supply and temperature setting/control is performed through the INHECO Single TEC Control unit (STC). For multiple (up to six) INHECO heating & cooling units – incl. Thermoshake – an INHECO Multi TEC Control unit (MTC, with display) or MTC Compact (no display) is used and each device is controlled individually. A slot module is required to connect the Thermoshake to the STC/MTC.

For optimal temperature transfer an adapter - except for flat bottom plates - is always needed. On our website, you will find a list of existing adapter variants for a broad range of disposables with or without insulation. In case you need an adapter for your disposable which is not yet on the list, we offer to custom design and manufacture it on request.



8900029: MTC Compact
8900030: Multi TEC Control (MTC)
8900031: Single TEC Control (STC)

Alternatives

For the heating-only Shaker, we refer to the Heating & Shaking brochure (Teleshake 95).

Accessories

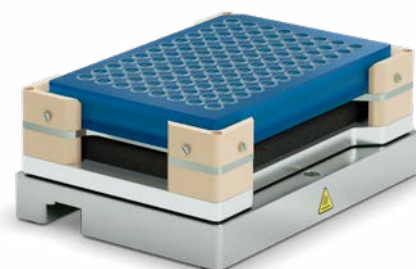
Product	Part No.
MTC Compact	8900029
Multi TEC Control (MTC)	8900030
Single TEC Control (STC)	8900031
Black Slot Module	2400125
Yellow Slot Module (AC)	2400211
Cooling Fluid	3800053
External ambient Sensor**	2400140

** Monitoring/tracking of ambient temperature and humidity

Adapter Plates*

Product	Part No.
96 well PCR plate	3201085
384 well PCR plate	3201086

* Over 100 adapters are available for perfect fit of a wide range of disposables. They are listed on our website. We also customize upon request



7100136: Teleshake 95

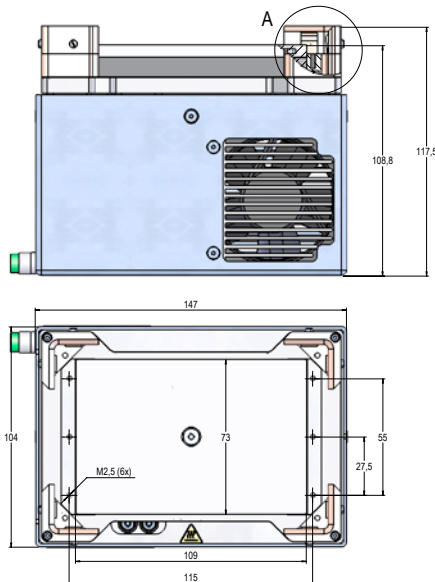


INHECO GmbH
 Fraunhoferstrasse 11
 82152 Martinsried
 Germany

Tel.: +49 89 89 95 93-120
 Fax: +49 89 89 95 93-149
 sales@inheco.com
 www.inheco.com

Drawings Thermoshake 7100146

(difference to 7100144 positioning bracket 2 mm lower)



Drawings Thermoshake AC 7100160

